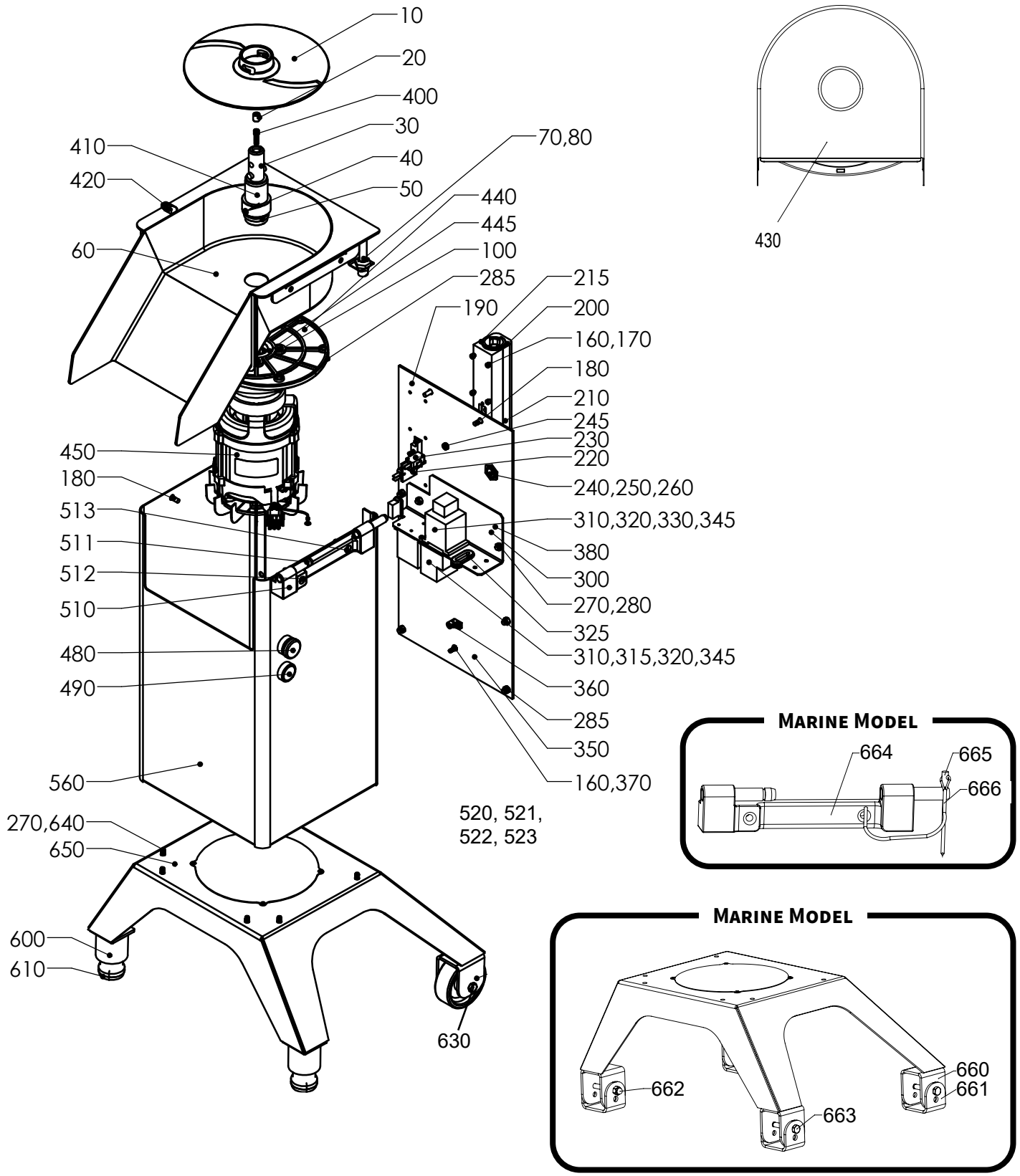


VEGETABLE PREPARATION MACHINE RG-300i

| No. on drawing | Item No. | Description | Pcs |
|----------------|----------|---------------------------------|-----|
| 10 | 37042 | Ejector plate | 1 |
| 20 | 14800 | Locking screw PSS M10X 12 A2 70 | 1 |
| 30 | 47548 | Carrier pin | 1 |
| 40 | 37059 | Carrier pin for ejector plate | 2 |
| 50 | 10311 | Seal ring V-35S | 1 |
| 60 | 47001 | Knife chamber | 1 |
| 70 | 47208 | Magnetic switch HM-PR15.2 | 1 |
| 80 | 15692 | Nut PG 9 plastic | 1 |
| 100 | 14011 | Screw MC6S M4x25 | 4 |
| 120 | 47207 | Wiring loom machine | 1 |
| 160 | 14084 | Lock washer FBB 4.1 A2 | 6 |

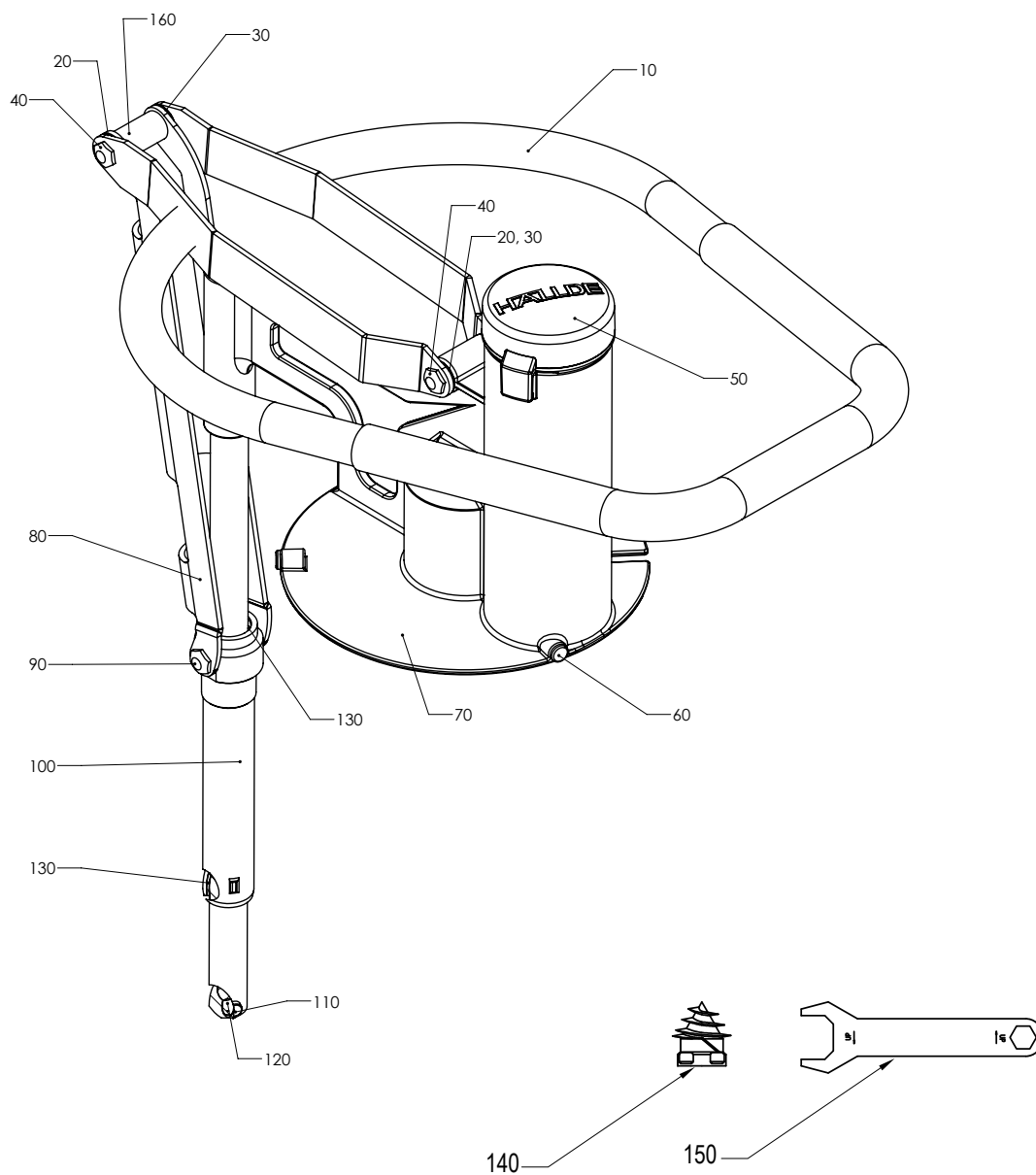


VEGETABLE PREPARATION MACHINE RG-300i

| No. on drawing | Item No. | Description | Pcs |
|----------------|----------|----------------------------------|-----|
| 170 | 14009 | MC6S M4x40 | 6 |
| 180 | 14464 | Screw LKCSF M6X16 | 4 |
| 190 | 47121 | Bracket Compl. 380-415 | 1 |
| 200 | 47209 | Bracket compl. | 1 |
| 210 | 47085 | Bushing | 1 |
| 215 | 47118 | Bushing | 1 |
| 220 | 47076 | Micro switch compl. | 1 |
| 230 | 15529 | Micro switch XGG2-88-S20Z1 | 2 |
| 230 | 15565 | Micro switch XGT42C-86-S20Z1 | 2 |
| 240 | 15443 | Nut PR 22.5/PG16 metal | 1 |
| 245 | 10504 | Kit ekvipotentiell koppling | 1 |
| 250 | 15381 | Cable ret PR 22.5 dia 15 | 1 |
| 260 | 15142 | Supply cord CB 3 phse | 1 |
| 270 | 14086 | Lock washer FBB 6.1 A2 | 8 |
| 280 | 14006 | Nut M6M M6 A2 70 | 2 |
| 285 | 14007 | Nut, locking LM M6 A2 | 10 |
| 300 | 47099 | EI-plate | 1 |
| 310 | 40556 | DIN-rail TS35 DIN EN 50022 | 2 |
| 315 | 15827 | Overload rel.RF120320 | 1 |
| 320 | 15818 | Contactora 11BG0610A400 | 1 |
| 320 | 15810 | Contactora 11BG0610A230 | 2 |
| 325 | 24664 | Grommet | 1 |
| 330 | 15110 | RC-circuit 230v | 1 |
| 345 | 14616 | Screw RTK ST3.5X6.5 A2 70 | 2 |
| 350 | 47015 | Machine housing back | 1 |
| 360 | 15202 | Cable tie/screw mount | 1 |
| 370 | 14004 | Nut M6M M4 A2 70 | 1 |
| 380 | 47060 | Electric unit 380-415 3 50/60 | 1 |
| 400 | 47006 | Screw M6 axle | 1 |
| 410 | 47009 | Knife shaft | 1 |
| 420 | 47210 | Locking lug compl. | 1 |
| 430 | 37297 | Tray | 1 |
| 440 | 47008 | Motor plate | 1 |
| 445 | 10444 | Seal ring basl 35X52X10 | 1 |
| 450 | 47047 | Motor | 1 |
| 480 | 15439 | Push button o complete | 1 |
| 490 | 15440 | Push button 1 complete | 1 |
| 510 | 47017 | Hinge Male | 1 |
| 511 | 37206 | Seal ring | 1 |
| 512 | 14147 | Screw MFS M6x40 | 1 |
| 513 | 14013 | Screw MFS M6x30 | 1 |
| 520 | 15385 | Fuse holder | 1 |
| 521 | 15384 | Fuse T100MA | 1 |
| 522 | 15380 | Safety for fuse | 1 |
| 523 | 14611 | Screw RTS ST2.9X9.5 A2 70 Form C | 1 |
| 560 | 47125 | Machine house | 1 |
| 600 | 37085 | Cover feet | 2 |
| 610 | 10328 | Foot Rubber | 2 |
| 630 | 47211 | Wheel compl. | 2 |
| 640 | 14854 | Screw MRT M6X12 A2 | 6 |
| 650 | 47350 | Base | 1 |
| 660 | 47450 | Base Marine | 1 |
| 661 | 37503 | Weld plate | 4 |
| 662 | 14028 | Nut MHM M8 | 4 |
| 663 | 14553 | Screw M6S M8X70 A2 70 | 4 |
| 664 | 47451 | Hinge Marine | 1 |
| 665 | 37511 | Hinge locking pin | 1 |
| 666 | 37513 | Wire | 1 |

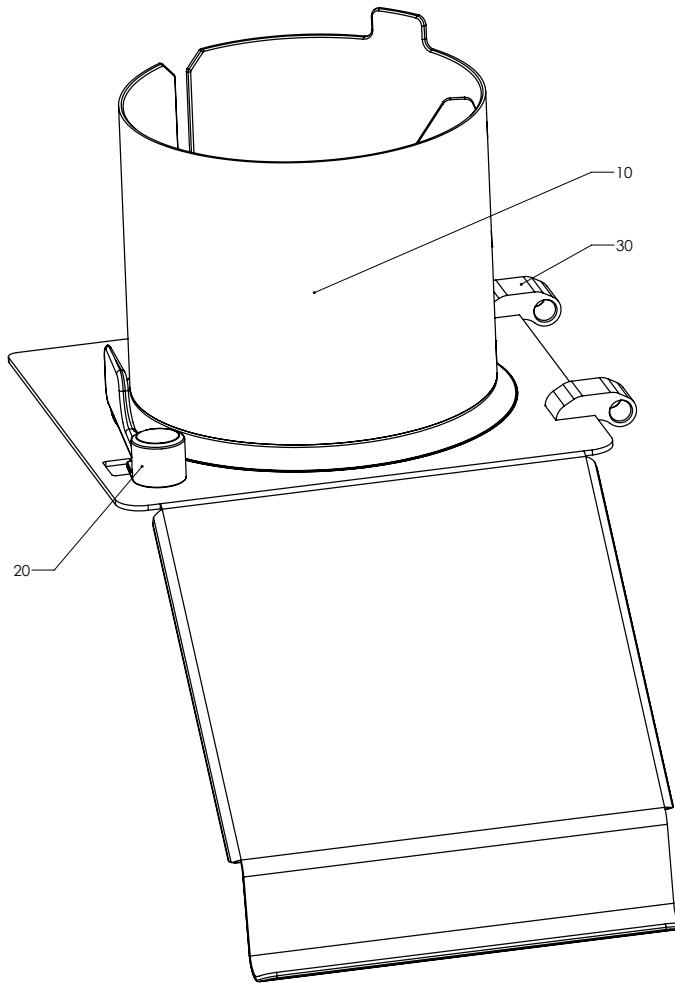
VEGETABLE PREPARATION MACHINE RG-300i: MANUAL FEEDER, ERGO-LOOP

| No. on drawing | Item No. | Description | Pcs |
|----------------|----------|--------------------------|-----|
| 10 | 47090 | Pusher handle ergo | 1 |
| 20 | 47052 | Shaft L=40 | 2 |
| 30 | 40848 | Bushing | 4 |
| 40 | 25191 | Screw for link system | 2 |
| 50 | 40554 | Pestle | 1 |
| 60 | 3257 | Guide knob | 3 |
| 70 | 47049 | Feeder plate incl. Shaft | 1 |
| 80 | 47014 | Link | 1 |
| 90 | 47089 | Screw | 2 |
| 100 | 47086 | Sleeve for link system | 1 |
| 110 | 47088 | Pin | 1 |
| 120 | 14833 | Lock screw | 1 |
| 130 | 47087 | Bushing | 2 |
| 140 | 3129 | Decorating device 3ph | 1 |
| 150 | 3162 | Wrench | 1 |
| 160 | 47119 | Sleeve | 1 |



VEGETABLE PREPARATION MACHINE RG-300i: FEED CYLINDER

| No. on drawing | Item No. | Description | Pcs |
|----------------|----------|-----------------------|-----|
| 10 | 47011 | Feed cylinder | 1 |
| 20 | 47360 | Locking handle compl. | 1 |
| 30 | 47361 | Magnet compl. | 1 |



VEGETABLE PREPARATION MACHINE RG-300i: 4-TUBE INSERT

| No. on drawing | Item No. | Description | Pcs |
|----------------|----------|------------------------|-----|
| 10 | 10345 | Plug GL 28 black | 1 |
| 20 | 47507 | Stand | 1 |
| 30 | 3149 | Stud screw | 1 |
| 40 | 10343 | Handle I280/65-M8 | 1 |
| 50 | 47093 | Shaft | 1 |
| 60 | 37138 | Spacer 16 | 2 |
| 70 | 14028 | Nut MHM M8 | 2 |
| 80 | 14088 | Lock washer FBB 8.2 A2 | 2 |
| 90 | 47510 | 4-tube insert | 1 |
| 100 | 3257 | Guide knob | 3 |
| 110 | 10455 | Plug IKPT 1715S | 2 |
| 120 | 10329 | Plug IR20/40/1,5 S | 1 |
| 130 | 14394 | Screw MC6S M8X35 | 2 |
| 140 | 47519 | Pestle dia. 55 | 1 |
| 150 | 47521 | Pestle dia. 31 | 1 |
| 160 | 3204 | Locking bolt TR12V | 1 |
| 170 | 3162 | Wrench | 1 |

